

Crimping Tools

Manual Crimping Tools	50
Electronic Crimping Tools	51
High Power Crimping Tools	52-53
Accessories	54

Crimping Tools

Manual Crimpers and Decappers

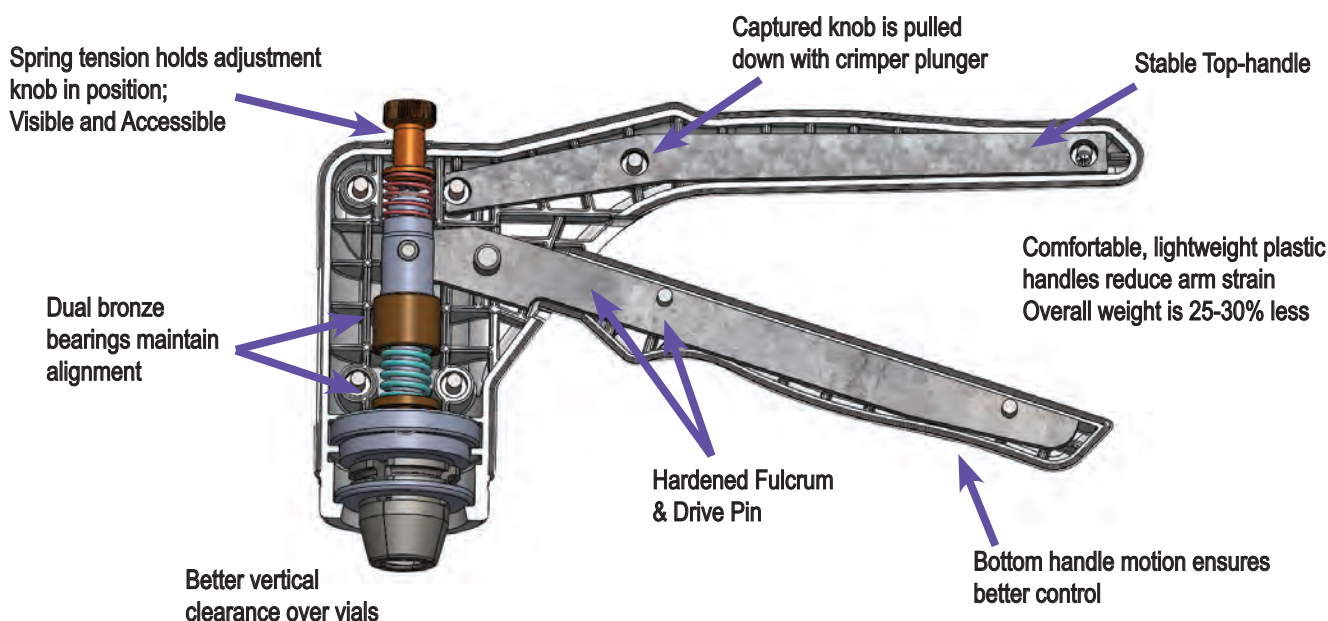
- Easily-viewed adjustment knob
- Strong light-weight plastic body
- Bottom-pull handle design prevents wobbling
- Curved high-strength plastic handles
- Available for flip-off caps in 13 mm and 20 mm sizes (not for use with *flip-up* caps)
- Optional crimper stand available (page 54)



Adjusting the Crimp Setting

The adjustment knob is conveniently positioned at the head of the crimper and clearly displays + and - symbols along with directional arrows. This simplifies adjusting the intensity of the crimp to the desired setting. When the knob touches the crimper body, the crimp setting has been reached. No more “extra squeeze” necessary! Available in 8 mm (crimper only), 11 mm, 13 mm, and 20 mm cap sizes; including the flip-off style in 13 mm and 20 mm cap sizes.

Description	Item No.
8 mm Crimper	308990
11 mm Crimper	311990
13 mm Crimper	313990
13 mm Crimper for Flip Off Caps*	313992
20 mm Crimper	320990
20 mm Crimper for Flip Off Caps*	320992
*Not for use with Flip-Up Caps	
11 mm Decapper	311991
13 mm Decapper	313991
20 mm Decapper	320991



Electronic Crimpers and Decappers

- Powerful motor allows fast cycles
- Long lasting battery with Lithium Ion technology
- Advanced charging system includes warning light when recharging is necessary
- Can be operated while charging
- Convenient controls on top of unit to adjust power
- Not for use with all steel/magnetic caps, see High Power Crimper (page 52)
- Available for flip-off caps in 13 mm and 20 mm sizes (not for use with *flip-up* caps)
- Optional base with mounting kit and stand (page 54)

CRS electronic crimpers and decappers fit standard laboratory vials and seals with aluminum or two-part aluminum/steel caps. For all steel caps see the High Power Crimper on page 52. The crimper jaws easily fit around vials that are set in standard autosampler trays. The electronically-adjustable cycle is accurate and reproducible and can be adjusted with the control pad on top of the unit.

The tools are ergonomically designed to reduce strain and arm injury associated with many manual crimping tools. Available in 8 mm (crimper only), 11 mm, 13 mm, and 20 mm cap sizes; including the flip-off style in 13 mm and 20 mm cap sizes.

Rechargeable

The tools can be recharged in one to two hours with the universal power supply included. The power supply includes a plug set for operation in most countries.



Description	Item No.
8 mm Crimper	6A08C0
11 mm Crimper	6A11C0
13 mm Crimper	6A13C0
13 mm Crimper for Flip Off Caps*	6A13F0
20 mm Crimper	6A20C0
20 mm Crimper for Flip Off Caps*	6A20F0
*Not for use with Flip-Up Caps	
11 mm Decapper	6A11D0
13 mm Decapper	6A13D0
20 mm Decapper	6A20D0

High Power Crimping Tool

- Fastest and most powerful CRS crimping Tool
- Strong enough for all steel and magnetic caps
- Designed with external power source and cord (no battery)
- Uses interchangeable jaw sets (ordered separately)
- Stores separate programs for different caps and seals
- Jaws available for flip-off caps in 13 mm and 20 mm sizes (not for use with *flip-up* caps)
- Optional base and mounting kit (see page 54)



The CRS High Power Crimper is designed with interchangeable jaws so that you only need one crimping tool. You can then choose which size crimper and decapper jaw sets fit your laboratory needs. The jaw sets fit standard laboratory vials with aluminum, two-part aluminum/steel, and all-steel crimp caps. This crimping tool has the ability to store separate programs for different style caps and cap sizes. The tools are ergonomically designed to reduce strain and arm injury associated with many manual crimping tools. Jaw sets are available in 8 mm (crimper only), 11 mm, 13 mm, and 20 mm cap sizes, including flip-off style in 13 mm and 20 mm cap sizes.

Description	Item No.
High Power Electronic Crimping Tool	6AHPS0
8 mm Crimper Jaw	308955
11 mm Crimper Jaw	311955
13 mm Crimper Jaw	313955
13 mm Crimper Jaw for Flip Off Caps*	313956
20 mm Crimper Jaw	320955
20 mm Crimper Jaw for Flip Off Caps*	320956
*Not for use with Flip-Up Caps	
11 mm Decapper Jaw	311965
13 mm Decapper Jaw	313965
20 mm Decapper Jaw	320965

Switching Jaw Sets

Jaw sets are easy to interchange. Simply insert the jaw set into the bushing at the bottom of the tool. Push up and twist until the set locks into position. To remove, push the outside button and rotate.



Crimping Tools

Crimping Tool Accessories



Base and Mounting Kit

The Base and Mounting Kit is available for use with either the Electronic Crimping Tools or with High Power Electronic Crimping Tools. The kit is easy to assemble and all hardware is included.

Description	Item No.
Base and Mounting Kit	5ABAS0



Crimping Tool Stand

The Crimping Tool Stand is available for use with both the Electronic and Manual Crimping Tools.

Description	Item No.
Crimper Stand	5ASTA0



Replacement Battery

Longer lasting battery with Lithium Ion technology.

Description	Item No.
6.6 Volt Lithium Ion Battery	HPB6-A



DJ's Fun Fact

CRS was first to manufacture and patent the electronic crimper in 1999.